

--	--	--	--	--

Centre Number

Section III (continued)

--	--	--	--	--	--	--	--	--

Student Number

Marks

Question 18 — Engineering and the Engineering Report (10 marks)

- (a) Discuss the use of CAD systems as an alternative to traditional drawing methods. **3**

.....

.....

.....

.....

.....

.....

.....

.....

.....

.....

Question 18 continues on page 32

Question 18 (continued)

(b)



- (i) In many public areas, polymer containers similar to those shown are provided for rubbish and recyclable materials. Describe a forming process to produce the main body of these large containers. 2

.....

.....

.....

.....

.....

- (ii) The lids used for the containers are moulded from polyethylene. Outline the reasons for this being a suitable choice of material in service. 2

.....

.....

.....

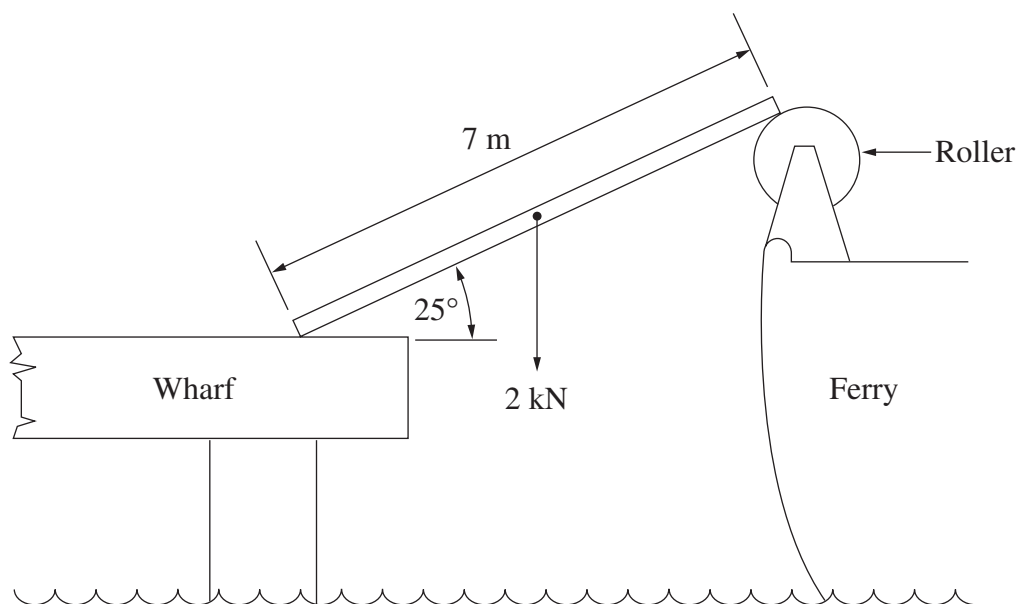
.....

.....

Question 18 continues on page 33

Question 18 (continued)

- (c) A loading ramp between a ferry and a wharf is shown. The ramp has a weight of 2 kN and a coefficient of static friction with the wharf of 0.2. There is no friction at the roller support. 3



Sketch a free-body diagram of the ramp. Show whether the ramp will slip or remain static for these conditions.

End of paper