

Engineering Studies

Section II (continued)

Marks

Question 12 — Civil Structures (10 marks)

(a) A pre-stressed concrete beam is to be used in the construction of a ferry wharf.

The steel tendons used to pre-stress the beam are 18 mm in diameter and 6 metres in length. A force of 30 kN is to be applied to each tendon.

(i) If the Young's modulus for the steel used in the tendons is 210 GPa, calculate the extension of each tendon. 2

$$e = \frac{FL}{AE}$$

$$= \frac{30000 \times 6}{2.5 \times 10^{-4} \times 210 \times 10^9}$$

$$= \frac{180000}{52500000}$$

$$A = \frac{\pi d^2}{4}$$

$$= \frac{\pi (0.018)^2}{4}$$

$$= 2.5 \times 10^{-4}$$

Extension = 3.4

(ii) Explain TWO benefits of using pre-stressed concrete beams in preference to reinforced concrete beams. 2

Pre-stressed concrete beams are cheaper and quicker to produce.

Pre-stressed concrete beams will last longer without corrosion.

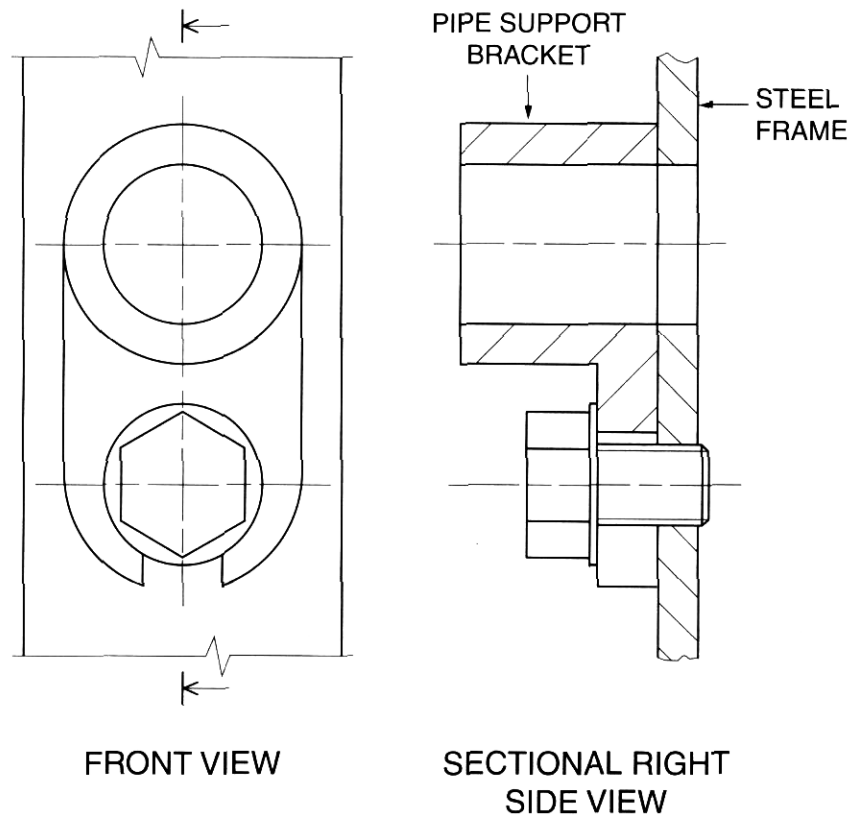
Question 12 continues on page 12

Question 12 (continued)

- (iii) A timber-laminate beam is an alternative to the pre-stressed concrete beam. Discuss TWO factors, other than strength and cost, an engineer would consider in choosing the best option. 3

An engineer would consider which beam will last longer in the circumstances.
 An engineer would consider the appearance of each option ~~in~~ if it in view of society.

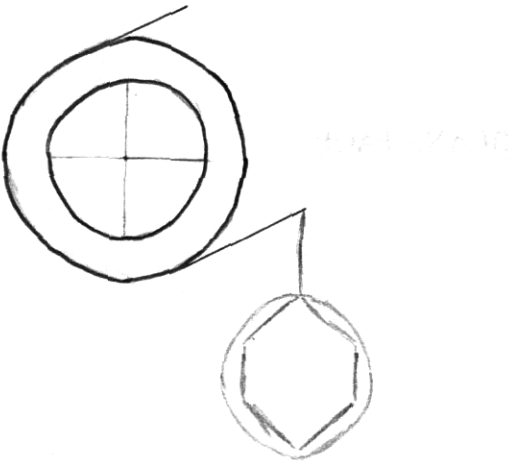
- (b) The following orthogonal assembly drawing gives details of a pipe support bracket attached to a steel frame, drawn to a scale of 1 : 1. 3



On page 13, sketch a full-size pictorial view of the bracket and frame when viewed from the front. Do NOT include hidden outline. Do NOT section the sketch.

Question 12 continues on page 13

Question 12 (continued)



End of Question 12